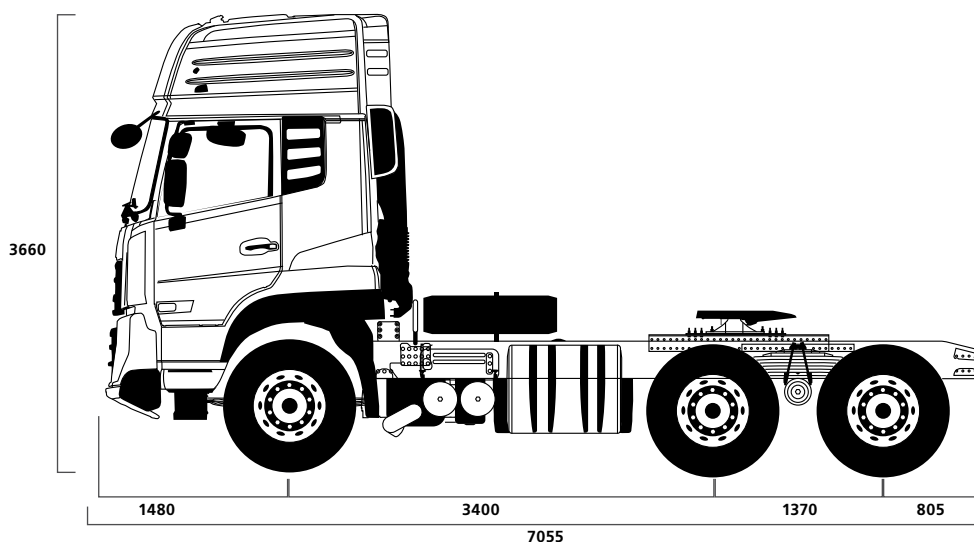
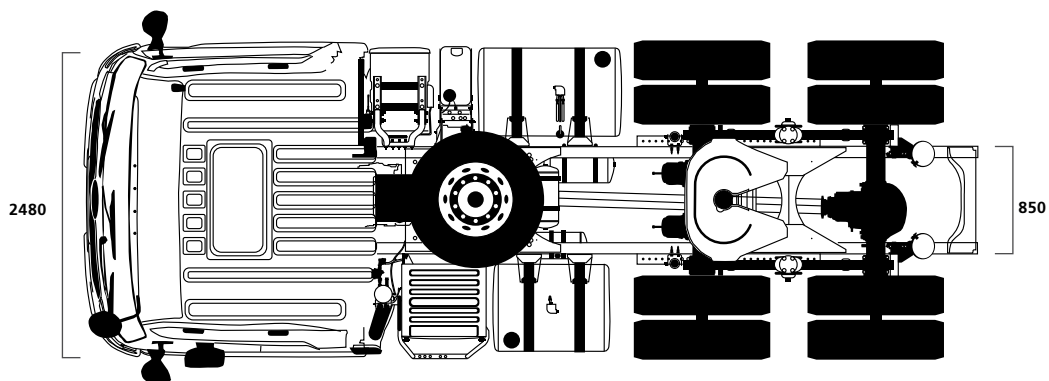


| VEHICLE                                   |                 | E91                                |
|---|-----------------|------------------------------------|
| Model                                     |                 | GWE 460                            |
| Manufacturers Code                        |                 | GWE64T11MJ                         |
| Model Description                         |                 | 6x4 Truck Tractor (ADR PREP)       |
| MASS                                      |                 |                                    |
| Tare – total (T) *                        | kg              | 8 095                              |
| Tare Frt / Rr                             | kg              | 4 426/3 669kg                      |
| GVM                                       | kg              | 31 000                             |
| V   | kg              | 25 700                             |
| GCM                                       | kg              | 60 000                             |
| D/T kg                                    | kg              | 56 000                             |
| Axle – front GA/GAU                       | kg              | 8 000                              |
| Axle – front A/AU                         | kg              | 7 700                              |
| Axle – rear GA/GAU                        | kg              | 23 000                             |
| Axle – rear A/AU                          | kg              | 18 000                             |
| *Included in tare                         |                 | Standard fuel volume               |
| PERFORMANCE                               |                 |                                    |
| Gradeability at V                         | %               | 78.05                              |
| Gradeability at D/T                       | %               | 35.82                              |
| Max. geared road speed                    | km/h            | 144                                |
| MAJOR DIMENSIONS                          |                 |                                    |
| Overall length                            | mm              | 7 055                              |
| Overall width                             | mm              | 2 480                              |
| Wheelbase                                 | mm              | 4 085                              |
| CA – cab to rear axle                     | mm              | 3 295                              |
| ROH – Centre of rear axle to end of frame | mm              | 805                                |
| Turning radius (curb to curb)             | mm              | 7 256                              |
| ENGINE                                    |                 |                                    |
| Model                                     |                 | GH11E                              |
| Capacity                                  | cm <sup>3</sup> | 10 837                             |
| Layout                                    |                 | In line six cylinders              |
| Type                                      |                 | Turbo Intercooled (Unit Injectors) |
| Power at r/min                            | kW              | 346 @1800                          |
| Torque at r/min                           | Nm              | 2240 @950-1400                     |
| Emissions standard                        |                 | EUR V                              |
| TRANSMISSION                              |                 |                                    |
| Model                                     |                 | Escot-ATO2612F                     |
| Shift                                     |                 | Automated manual                   |
| No. of gears forward                      |                 | 12                                 |
| First gear ratio                          |                 | 11.729                             |
| Top gear ratio                            |                 | 0.785                              |
| Transmission PTO                          |                 | Prepared for PTO fitment           |
| CLUTCH                                    |                 |                                    |
| Model                                     |                 | Organic                            |
| Type                                      |                 | Single Plate                       |
| Diameter                                  | mm              | 430                                |
| Operation                                 |                 | Automated                          |



|                                  |      |   |
|----------------------------------|------|---|
| <b>DRIVE AXLE</b>                |      |   |
| Model                            |      | RTS2670B  |
| Reduction type                   |      | Tandem Single Reduction   |
| Final ratio                      |      | 4.11  |
| <b>SUSPENSION</b>                |      |   |
| Front                            |      | Parabolic leaf spring   |
| Rear                             |      | Multileaf Spring  |
| Shock absorbers                  |      | Standard- rear  |
| Stabilisers                      |      | Front Standard  |
| <b>STEERING</b>                  |      |   |
| Operation                        |      | Power Assisted  |
| Steering Wheel Tilt & Telescopic |      | Standard  |
| <b>BRAKES</b>                    |      |   |
| System type                      |      | Full air  |
| Front                            |      | S-cam Drum Brake  |
| Rear                             |      | S-cam Drum Brake  |
| Electronic brake system          |      | ABS   |
| Park/emergency system            |      | Front and rear spring brakes  |
| Exhaust brake                    |      | UD EEB (Extra compression brake with exhaust pressure governor )          |
| Engine brake                     |      | Standard  |
| Retarder                         |      | Standard  |
| <b>ELECTRICAL AND FUEL</b>       |      |   |
| Fuel tank 1 capacity             | ltrs | 450 aluminium tank  |
| Fuel tank 2 capacity             | ltrs | 365 aluminium tank  |
| AD-Blue Tank                     | ltrs | 50  |
| <b>TYRES</b>                     |      |   |
| Size – front                     |      | 315/80R22.5   |
| Size – rear                      |      | 315/80R22.5   |
| <b>RIMS</b>                      |      |   |
| Type-front                       |      | Aluminium   |
| Type-rear                        |      | Aluminium   |
| <b>CAB</b>                       |      |   |
| Type                             |      | High roof double sleeper (With cab back mattress)                         |
| Cab suspension                   |      | Air below rear cab suspension   |
| No. of bunks                     |      | 2   |
| No. of seats                     |      | 2   |
| Seat Belts                       |      | Standard – ELR with Reminder  |
| Seats                            |      | Fully adjustable air suspended driver seat with arm rest, Fixed passenger |
| Air conditioning                 |      | Standard  |
| Radio                            |      | Standard  |
| On-board computer                |      | Multi Display function  |
| Tilt cab                         |      | Electrical cab tilt   |
| Speed limiter                    | km/h | 80  |
| Rear View Mirrors                |      | 6 total (Front and LHS close proximity, rear and wide angle RHS & LHS)    |
| Electric Dashboard Outlet        |      | 12V + 24 V dash single outlet   |
| Cruise control                   |      | Standard  |
| Rear lower storage underbunk     |      | Standard  |
| Driver Fuel Coaching Tool        |      | Standard  |
| Telematics Communication Gateway |      | Gateway with 3G and WLAN  |



Specifications and options may differ depending on each country due to regulations or special requirements. Dimensions and devices may be changed without prior notice. Please contact your nearest UD Trucks dealer for further details.

