



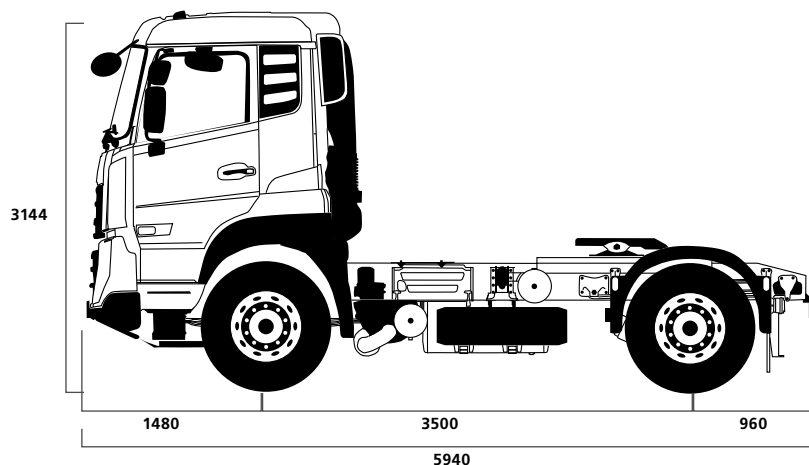
UD TRUCKS

Quester

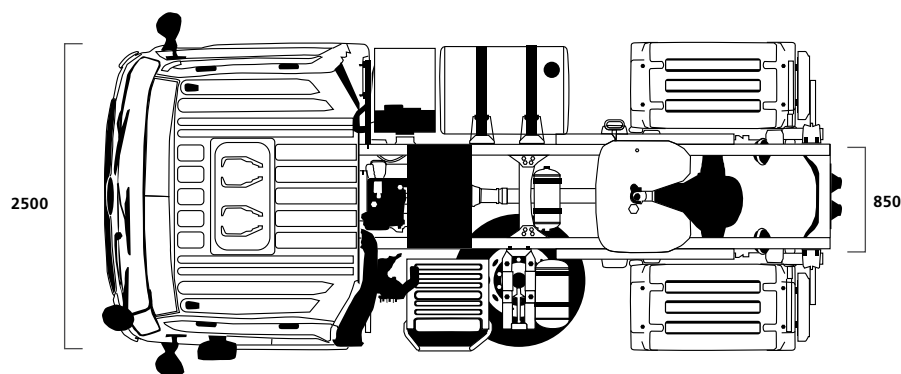
GKE370

E50

VEHICLE		E50
Model		GKE 370
Manufacturers Code		GKE42T11MD
Model Description		4x2 Truck Tractor
MASS		
Tare – total (T) *	kg	6 685
Tare Frt / Rr	kg	4 360/2 325
GVM	kg	20 000
V	kg	16 700
GCM	kg	44 000
D/T	kg	44 000
Axle – front GA/GAU	kg	8 000
Axle – front A/AU	kg	7 700
Axle – rear GA/GAU	kg	13 000
Axle – rear A/AU	kg	9 000
* Tools included in tare		Yes
PERFORMANCE		
Gradeability at V	%	95.93
Gradeability at D/T	%	36.41
Max. geared road speed	km/h	123.2
MAJOR DIMENSIONS		
Overall length	mm	5 940
Overall width	mm	2 500
Wheelbase	mm	3 500
CA – cab to rear axle	mm	2 710
ROH – Centre of rear axle to end of frame	mm	960
Turning radius (curb to curb)	mm	6 400
ENGINE		
Model		GH11E
Capacity	cm ³	10 837
Layout		In line six cylinders
Type		Turbo Intercooled (Unit Injectors)
Power at r/min	kW	278 @ 1 900
Torque at r/min	Nm	1 734 @ 1 000-1 400
Emissions standard		EUR III
TRANSMISSION		
Model		Escot-ATO2612F
Shift		Automated manual
No. of gears forward		12
First gear ratio		11.729
Top gear ratio		0.785
Transmission PTO		Prepared for PTO fitment



CLUTCH		
Model		Organic
Type		Single Plate
Diameter	mm	430mm
Operation		Automated
DRIVE AXLE		
Model		RSS1348B
Reduction type		Single Reduction
Final ratio		4.3
SUSPENSION		
Front		Parabolic leaf spring
Rear		Multi leaf spring
Shock absorbers		Standard front
Stabilisers		Front Standard
STEERING		
Operation		Power Assisted
Steering Wheel Tilt & Telescopic		Standard
BRAKES		
System type		Full air
Front		S-cam Drum Brake
Rear		S-cam Drum Brake
Electronic brake system		ABS
Park/emergency system		Front and rear spring brakes
Exhaust brake		Standard
Engine brake		Standard
Retarder		Without
ELECTRICAL AND FUEL		
Fuel tank 1 capacity ltrs	ltrs	405 Steel tank
Fuel tank 2 capacity ltrs	ltrs	Without
TYRES		
Size – front		315/80R22.5
Size – rear		315/80R22.5
CAB		
Type		Standard roof single sleeper (With cab back mattress)
Cab suspension		Air suspension
No. of bunks		1
No. of seats		3 (Including Centre seat)
Seat Belts		Standard – ELR with Reminder (Lap Belt with Center Seat)
Seats		Fully adjustable air suspension with arm rest (Driver), Fixed passenger
Air conditioning		Standard
Radio/USB		Standard
On-board computer		Multi Display function
Tilt cab		Mechanical
Speed limiter	km/h	80
Rear View Mirrors		6 total (Front and LHS close proximity, rear and wide angle RHS & LHS)
12 Volt Power Outlet		Standard in Dash
Rear lower storage underbunk		Standard
Driver Fuel Coaching Tool		Standard
Telematics Communication Gateway		Gateway with GSM/GPRS/EDGE



Specifications and options may differ depending on each country due to regulations or special requirements. Dimensions and devices may be changed without prior notice. Please contact your nearest UD Trucks dealer for further details.

