



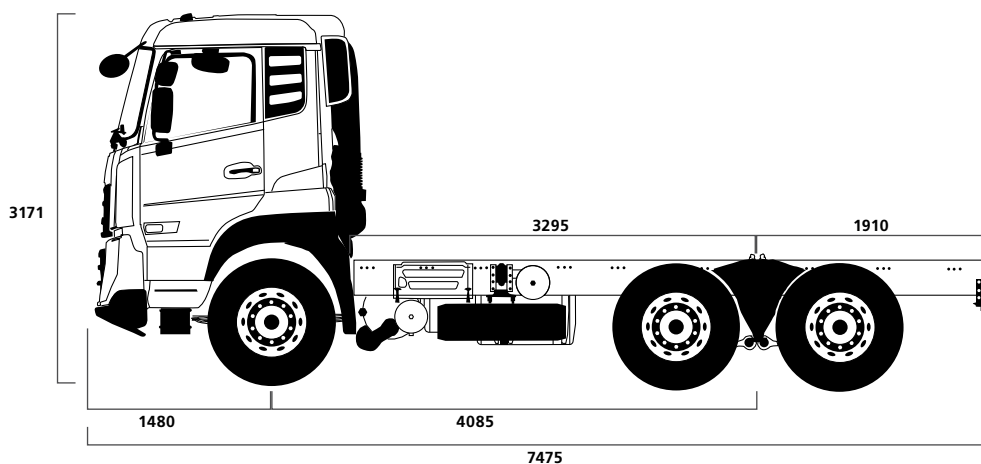
UD TRUCKS

Quester

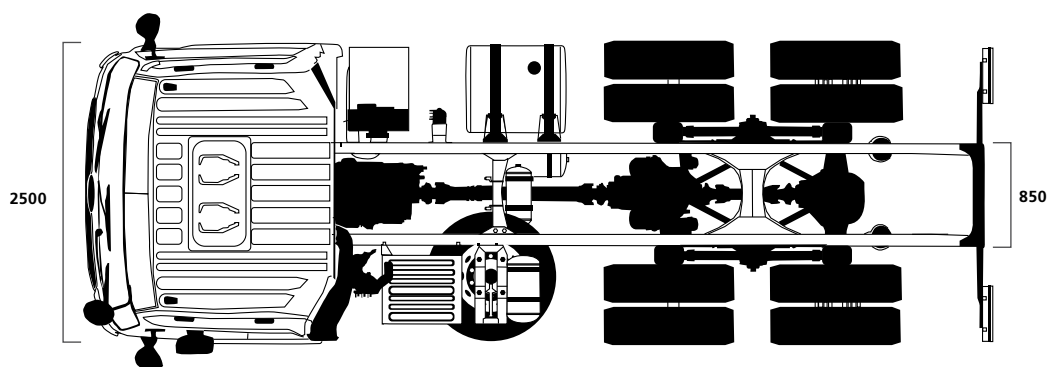
CWE330

E48

VEHICLE		E48
Model		CWE330
Manufacturers Code		CWE64R08MJ
Model Description		6x4 Dump / Skip loader Chassis
MASS		
Tare – total (T) *		7 700
Tare Frt / Rr		3 920 / 3 780
GVM		28 500
V		25 700
GCM		28 500
D/T kg		28 500
Axle – front GA/GAU		8 000
Axle – front A/AU		7 700
Axle – rear GA/GAU		23 000
Axle – rear A/AU		18 000
* Included in tare		Tools and Spare Wheel (Excluding Fuel)
PERFORMANCE		
Gradeability at V	%	31.7
Gradeability at D/T	%	28.2
Max. geared road speed	km/h	102
MAJOR DIMENSIONS		
Overall length	mm	7 475
Overall width	mm	2 500
Wheelbase	mm	4 085
CA – cab to bogie/rear axle	mm	3 295
ROH-Centre of bogie/rear axle to end of frame	mm	1 910
Turning radius (curb to curb)	mm	7 900
ENGINE		
Model		GH8E
Capacity	cm <sup>3</sup>	7 698
Layout		In line six cylinder
Type		Turbo Intercooled (Unit Injectors)
Power at r/min	kW	243 @ 2 200
Torque at r/min	Nm	1 200 @ 1 200 – 1 600
Emissions standard		EUR III
TRANSMISSION		
Model		Allison 3200 (AL326)
Shift		Full Automatic
No. of gears forward		6
First gear ratio		3.49
Top gear ratio		0.65
Transmission PTO		Close couple DIN5462 - 488Nm, cw-rear view, ratio: 126% eng.spd



<b>TORQUE CONVERTER</b>	
Model	Allison TC421(Ratio 1.77)
<b>DRIVE AXLE</b>	
Model	RTS2670B
Reduction type	Single Reduction Tandem
Final ratio	6.17
<b>SUSPENSION</b>	
Front	Parabolic Springs
Rear	Multileaf Spring
Shock absorbers	Standard (Front)
Stabilisers	Standard (Front)
<b>STEERING</b>	
Operation	Power Assisted
<b>BRAKES</b>	
System type	Full Air
Front	S-cam Drum Brake
Rear	S-cam Drum Brake
Electronic brake system	ABS
Park/emergency system	Spring brakes-front and rear
Exhaust brake	Standard
Engine brake	Standard
Retarder	Standard - Allison
<b>ELECTRICAL &amp; FUEL</b>	
Fuel tank 1 capacity ltrs	315L RH Side Mounted
Fuel tank 2 capacity ltrs	None
<b>TYRES</b>	
Size – front	315/80R22.5
Size – rear	315/80R22.5
<b>CAB</b>	
Type	Standard roof single sleeper (Without cab back mattress )
Cab suspension	Mechanical suspension
No. of bunks	1
No. of seats	2
Seat Belts	Standard – ELR with Reminder
Seats	Fully adjustable air suspension (Driver), Fixed passenger
Air conditioning	Standard
Radio/USB	Standard
On-board computer	Multi Display function
Tilt cab	Mechanical
Speed limiter	80
Rear View Mirrors	6 total (Front and LHS close proximity, rear and wide angle RHS & LHS)
12 Volt Power Outlet	Standard in Dash
Rear lower storage underbunk	Without
Driver Fuel Coaching Tool	Standard
Telematics Communication Gateway	Gateway with GSM/GPRS/EDGE



Specifications and options may differ depending on each country due to regulations or special requirements. Dimensions and devices may be changed without prior notice. Please contact your nearest UD Trucks dealer for further details.

