



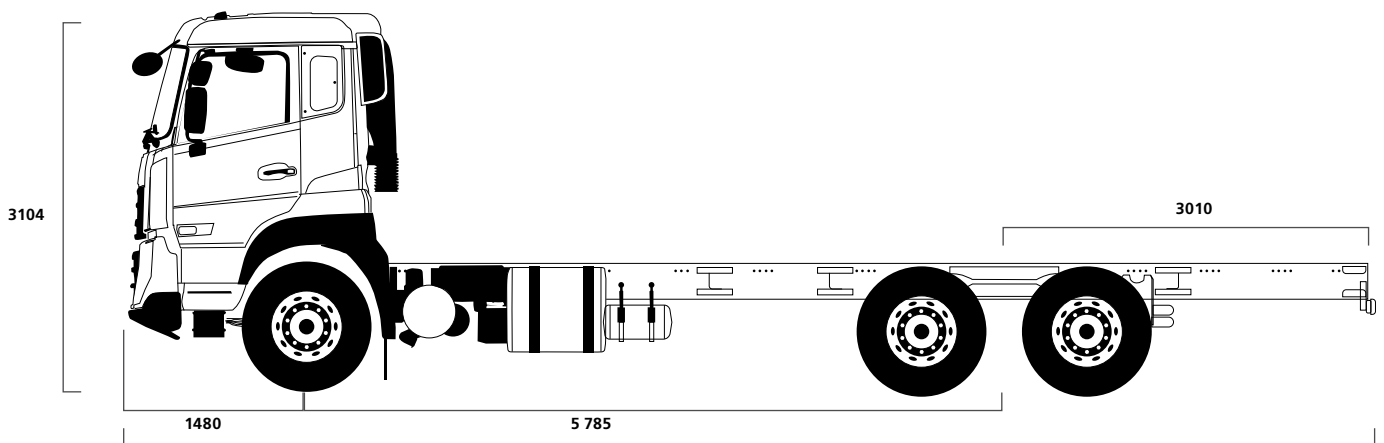
UD TRUCKS

Quester

CDE330

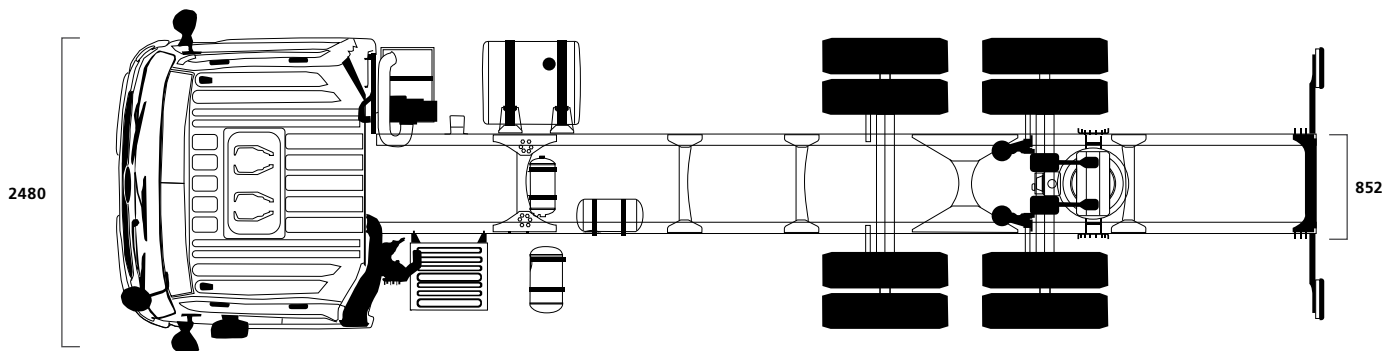
E40

VEHICLE		E40
Model		CDE330
Manufacturers Code		CDE62TR08MJ
Model Description		6x2 Freight Carrier
MASS		
Tare – total (T) *	kg	7 700
Tare Frt / Rr	kg	3 820 / 3 880
GVM	kg	30 000
V	kg	25 700
GCM	kg	30 000
D/T kg	kg	30 000
Axle – front GA/GAU	kg	8 000
Axle – front A/AU	kg	7 700
Axle – rear GA/GAU	kg	23 000
Axle – rear A/AU	kg	18 000
* Included in tare		Tools and Spare Wheel (Excluding Fuel)
PERFORMANCE		
Gradeability at V	%	28.2
Gradeability at D/T	%	23.8
Max. geared road speed	km/h	113
MAJOR DIMENSIONS		
Overall length mm	mm	10 342
Overall width mm	mm	2 500
Wheelbase mm	mm	5 785
CA – cab to bogie/rear axle mm	mm	4 995
ROH – Centre of bogie/rear axle to end of frame	mm	3 010
Turning radius (curb to curb)	mm	9 900
ENGINE		
Model		GH8E
Capacity	cm <sup>3</sup>	7 698
Layout		In line six cylinder
Type		Turbo Intercooled (Unit Injectors)
Power at r/min	kW	243 @ 2 200
Torque at r/min	Nm	1 200 @ 1 200 – 1 600
Emissions standard		EUR III
TRANSMISSION		
Model		Allison 3000 (AL306)
Shift		Full Automatic
No. of gears forward		6
First gear ratio		3.49
Top gear ratio		0.65
Transmission PTO		Prepared for PTO fitment



10 342

<b>TORQUE CONVERTER</b>		
Model		Allison TC421(Ratio 1.77)
<b>DRIVE AXLE</b>		
Model		RSS1348B
Reduction type		Single Reduction +Tag axle with lift function.
Final ratio		5.57
<b>SUSPENSION</b>		
Front		Parabolic Springs
Rear		Multileaf Spring
Shock absorbers		Standard (Front)
Stabilisers		Standard (Front)
<b>STEERING</b>		
Operation		Power Assisted
<b>BRAKES</b>		
System type		Full Air
Front		S-cam Drum Brake
Rear		S-cam Drum Brake
Electronic brake system		ABS
Park/emergency system		Spring brakes-front and rear
Exhaust brake		Standard
Engine brake		Without
Retarder		Without
<b>ELECTRICAL &amp; FUEL</b>		
Fuel tank 1 capacity	ltrs	315L RH Side Mounted
Fuel tank 2 capacity	ltrs	Without
<b>TYRES</b>		
Size – front		315/80R22.5
Size – rear		315/80R22.5
<b>CAB</b>		
Type		Standard roof single sleeper (With cab back mattress)
Cab suspension		Mechanical suspension
No. of bunks		1
No. of seats		3 (Including Centre seat)
Seat Belts		Standard – ELR with Reminder (Lap Belt with Center Seat)
Seats		Fully adjustable air suspension (Driver), Fixed passenger
Air conditioning		Standard
Radio/USB		Standard
On-board computer		Multi Display function
Tilt cab		Mechanical
Speed limiter	km/h	80
Rear View Mirrors		6 total (Front and LHS close proximity, rear and wide angle RHS & LHS)
12 Volt Power Outlet		Without electrical outlet on dashboard
Rear lower storage underbunk		Standard
Driver Fuel Coaching Tool		Standard
Telematics Communication Gateway		Gateway with GSM/GPRS/EDGE



Specifications and options may differ depending on each country due to regulations or special requirements. Dimensions and devices may be changed without prior notice. Please contact your nearest UD Trucks dealer for further details.

