



UD TRUCKS

NEW *Quester*

Made to go the extra mile



Going the Extra Mile



GDE 6x2 Prime Mover

ESCOT

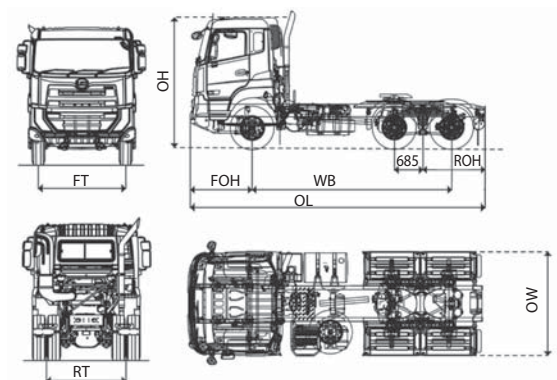


GDE 6x2 Prime Mover Specifications

MODEL NAME		GDE62TT11MJ	
Transmission Type		Manual Transmission (MT)	Automated Manual Transmission (AMT)
Axle Type		6x2, Single Reduction	
Performance	GCW Rating (kg)**	51,000	
	Minimum Turning Radius (m)	7.1	
	Max Speed (km/h)	90 km/h with speed limiter	
	Gradeability (%)	31.7	33.5
Engine	Model	GH11 390 EC01 Diesel Engine	GH11 440 EC01 Diesel Engine
	Euro Emission	Euro 3	
	Type	6 cylinder in-line, Overhead camshaft, Water cooled, Turbocharged with intercooler	
	Bore x Stroke	123 mm x 152 mm	
	Total Piston Displacement	10,837 cc	
	Max. Output	390 HP (293 kW) @ 1,900 rpm	440 HP (324 kW) @ 1,900 rpm
	Max. Torque	187 kg.m (1,836N.m) @ 1,000 - 1,400 rpm	204 kg.m (2,000N.m) @ 1,100 - 1,400 rpm
	Fuel System	Electronic Management System (EMS) fuel injection system	
	Transmission	Model	STO2012
Type		12 forward and 2 reverse speeds synchronized manual overdrive	12 forward and 2 reverse speeds overdrive automated transmission
Final Gear Ratio		4.30	
Gear Shift		Cable type gear shift linkage	Electronically controlled
Chassis	Clutch System	Pull type with dry single plate, Air assisted, Diameter 420 mm	Pull type with dry single plate, Air assisted, Diameter 430 mm
	Front Axle	Reverse Elliot "I" beam type	
	Rear Axle	Full floating, Pressed steel banjo housing type	
	Frame	Roll formed high tensile steel, Rivetless top, Ladder type	
	Main Frame Dimension	300 mm x 90 mm x 8 mm	
	Frame Reinforcement	5 mm thick from transmission member to bogie end	
	Frame Reinforcement Dimension	277 mm x 80 mm x 5 mm	
	Front Suspension	Parabolic leaf spring	
	Rear Suspension	Multileaf spring	
	Steering System	Recirculating ball screw type with hydraulic power assistance, Adjustable tilt / telescopic	
	Service Brake (Foot Brake)	Full air, Drum, S-cam type brakes with automatic slack adjuster, equipped with Anti-lock Braking System (ABS)	
	Parking Brake (Hand Brake)	Pneumatically controlled spring brakes operated by hand control lever, acting on front and first rear axles	
	Auxiliary Brake	UD Extra Engine Brake (EEB) and Exhaust Pressure Governor (EPG) type	
	Fuel Tank	405 litre aluminium tank	
Wheels & Tyres	Disc Type	Pressed steel disc type with ISO 10 studs	
	Wheel Size	9.0 x 22.5	
	Tyre Size (Front & Rear)	295/80R 22.5 16PR	
	Spare Wheel	1 spare wheel equal to front with lockable spare wheel carrier	
Electrical	Electrical System	24V	
	Battery	150 Ah, 12V x 2	
	Alternator	24V, 80 Amp	
Cabin	Cabin Features	Aerodynamic design, Sleeper cab with sleeping bunk, Composite bumper, Dirt deflectors, Electric cab tilting	
	Cabin Suspension	Air bellow with shock absorbers	
0th	Optional Accessories / Items	Air foil, Auto lubricating system, Transmission PTO, Variable speed sensor	
Weight (kg)	Chassis with Cab Curb Weight	8,236	
	Designed Axle Load (Front)	7,500	
	Designed Axle Load (Rear)	23,000	
Dimensions (mm)	Wheelbase (WB)	3,400 + 1,370	
	Overall Length (OL) x Width (OW) x Height (OH)	7,035 x 2,480 x 3,170	
	Axle Tread [Front (FT) / Rear (RT)]	2,020 / 1,836	
	Overhang [Front (FOH) / Rear (ROH)]	1,460 / 1,490	
	Ground Clearance (GC)	236	

Note:

- (1) All images are for illustration purposes only. As product improvements may be introduced at any time, the specifications and other information in this brochure are subject to change without prior notice.
- (2) Performance is based on theoretical calculations. Actual performance depends on various parameters like actual load, road conditions, driver, condition of vehicles, etc.
- (3) Weights and dimensions mentioned are estimated and indicative only, actual may vary on selection of optional items.
- (4) *Source from Malaysia Automotive Association (MAA) report 2018.
- (5) **Based on trailer axle configuration.



TAN CHONG INDUSTRIAL EQUIPMENT SDN BHD (013285-X)

A subsidiary of Tan Chong Motor Holdings Berhad (12969-P)

Lot 3, Jalan Perusahaan Satu, 68100 Batu Caves, Selangor Darul Ehsan, Malaysia.

Tel: 03-6189 9832 Fax: 03-6189 9336 Website: www.tcie.com.my