



UD TRUCKS

NEW
Quester

Made to go the extra mile



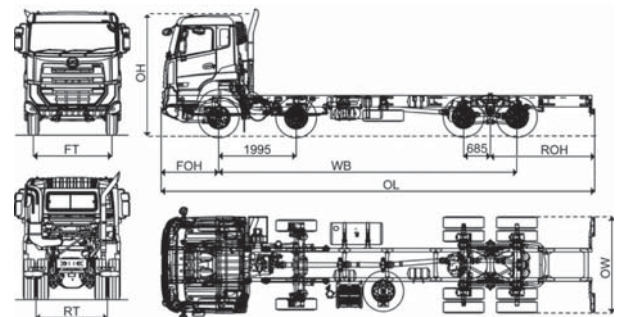
Going the Extra Mile

CGE 8x4 Rigid Mixer

CGE 8x4 Rigid Mixer Specifications

MODEL NAME		CGE84R11MS
Axle Type		8x4, Single Reduction
Performance	GVW Rating (kg)	30,000
	Minimum Turning Radius (m)	13.0
	Max Speed (km/h)	90 km/h with speed limiter
	Gradeability (%)	53.7
Engine	Model	UD GH11 390 EC01 Diesel Engine
	Euro Emission	Euro 3
	Type	6 cylinder in-line, Overhead camshaft, Water cooled, Turbocharged with intercooler
	Bore x Stroke	123 mm x 152 mm
	Total Piston Displacement	10,837 cc
	Max. Output	390 HP (293 kW) @ 1,900 rpm
	Max. Torque	187 kg.m (1,836 N.m) @ 1,000 - 1,400 rpm
	Fuel System	Electronic Management System (EMS) fuel injection
	Power Take-Off (PTO)	Rear engine mounted clutch independent PTO with SAE 1410 flange
Transmission	Model	STO2009
	Type	9 forward and 1 reverse speeds synchronized manual overdrive
	Final Gear Ratio	4.63
	Gear Shift	Cable type gear shift linkage
Chassis	Clutch System	Pull type with dry single plate, Air assisted, Diameter 420 mm
	Front Axle	Reverse Elliot "I" beam type
	Rear Axle	Full floating, Pressed steel banjo housing type
	Differential Lock	Between axles (INTERAXLE)
	Frame	Roll formed high tensile steel, Rivetless top, Ladder type
	Main Frame Dimension	300 mm x 90 mm x 8 mm
	Frame Reinforcement	From the end of the engine to the end of the frame
	Frame Reinforcement Dimension	277 mm x 80 mm x 5 mm
	Front Suspension	Parabolic leaf spring
	Rear Suspension	Multileaf spring
	Steering System	Recirculating ball screw type with hydraulic power assistance, Adjustable tilt / telescopic
	Service Brake (Foot Brake)	Full air, Drum, S-cam type brakes with automatic slack adjuster, equipped with Anti-lock Braking System (ABS)
	Parking Brake (Hand Brake)	Pneumatically controlled spring brakes operated by hand control lever, acting on front and first rear axles
	Auxiliary Brake	UD Extra Engine Brake (EEB) and Exhaust Pressure Governor (EPG) type
Wheels & Tyres	Fuel Tank	315 litre steel tank
	Disc Type	Pressed steel disc type with ISO 10 studs
	Wheel Size	9.0 x 22.5
	Tyre Size (Front & Rear)	295/80R 22.5 16PR
Electrical	Spare Wheel	1 spare wheel equal to front with lockable spare wheel carrier
	Electrical System	24V
	Battery	150 Ah
Cabin	Alternator	24V, 80 Amp
	Cabin Features	Aerodynamic design, Sleeper cab with sleeping bunk, Steel bumper with FUP, Dirt deflectors, Manual cab tilting
Weight (kg)	Cabin Suspension	Mechanical spring suspension with hydraulic shock absorbers
	Optional Accessories / Items	Auto lubricating system
	Chassis with Cab Curb Weight	9,627
	Designed Axle Load (Front)	15,000
Dimensions (mm)	Designed Axle Load (Rear)	26,000
	Wheelbase (WB)	1,995 + 4,305 + 1,370
	Overall Length (OL) x Width (OW) x Height (OH)	12,044 x 2,480 x 3,297
	Axle Tread [Front (FT) / Rear (RT)]	2,020 / 1,836
	Overhang [Front (FOH) / Rear (ROH)]	1,480 / 3,410
Ground Clearance (GC)	236	

- Note:
- All images are for illustration purposes only. As product improvements may be introduced at any time, the specifications and other information in this brochure are subject to change without prior notice.
 - Performance is based on theoretical calculations. Actual performance depends on various parameters like actual load, road conditions, driver, condition of vehicles, etc.
 - Weights and dimensions mentioned are estimated and indicative only, actual may vary on selection of optional items.
 - Optional wheelbase is available.



TAN CHONG INDUSTRIAL EQUIPMENT SDN BHD (013285-X)

A subsidiary of Tan Chong Motor Holdings Berhad (12969-P)

Lot 3, Jalan Perusahaan Satu, 68100 Batu Caves, Selangor Darul Ehsan, Malaysia.

Tel: 03-6189 9832 Fax: 03-6189 9336 Website: www.tcie.com.my