



UD TRUCKS

NEW
Quester

Made to go the extra mile



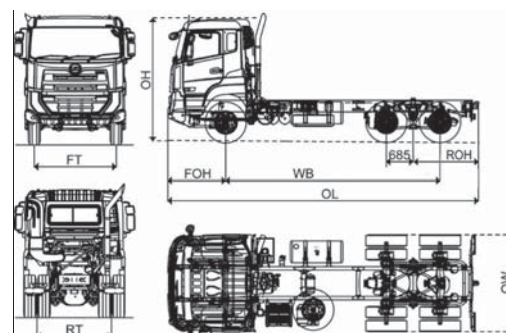
Going the Extra Mile

CWE 6x4 Rigid Mixer

CWE 6x4 Rigid Mixer Specifications

MODEL NAME	CWE64R08MS	CWE64R11MS
Axle Type	6x4, Single Reduction	
Performance		
GVW Rating (kg)	25,000	
Minimum Turning Radius (m)	8.3	
Max Speed (km/h)	90 km/h with speed limiter	
Gradeability (%)	36.7	61.3
Engine		
Model	GH08 330 EC01 Diesel Engine	GH11 370 EC01 Diesel Engine
Euro Emission	Euro 3	
Type	6 cylinder in-line, Overhead camshaft, Water cooled, Turbocharged with intercooler	
Bore x Stroke	110 mm x 135 mm	123 mm x 152 mm
Total Piston Displacement	7,698 cc	10,837 cc
Max. Output	330 HP (243 kW) @ 2,200 rpm	370 HP (273 kW) @ 1,900 rpm
Max. Torque	122 kg.m (1,200 N.m) @ 1,200 - 1,650 rpm	177 kg.m (1,734 N.m) @ 1,000 - 1,400 rpm
Fuel System	Common rail fuel injection system	Electronic Management System (EMS) fuel injection
Power Take-Off (PTO)	Rear engine mounted clutch independent PTO with SAE 1410 flange	
Transmission		
Model	ST1199	STO2009
Type	9 forward and 1 reverse speeds synchronized manual direct drive	9 forward and 1 reverse speeds synchronized manual overdrive
Final Gear Ratio	4.63	
Gear Shift	Cable type gear shift linkage	
Chassis		
Clutch System	Pull type with dry single plate, Air assisted, Diameter 420 mm	
Front Axle	Reverse Elliot "I" beam type	
Rear Axle	Full floating, Pressed steel banjo housing type	
Differential Lock	Between axles (INTERAXLE)	
Frame	Roll formed high tensile steel, Rivetless top, Ladder type	
Main Frame Dimension	300 mm x 90 mm x 8 mm	
Frame Reinforcement	From the end of the engine to the end of the frame	
Frame Reinforcement Dimension	277 mm x 80 mm x 5 mm	
Front Suspension	Parabolic leaf spring	
Rear Suspension	Multileaf spring	
Steering System	Recirculating ball screw type with hydraulic power assistance, Adjustable tilt / telescopic	
Service Brake (Foot Brake)	Full air, Drum, S-cam type brakes with automatic slack adjuster, equipped with Anti-lock Braking System (ABS)	
Parking Brake (Hand Brake)	Pneumatically controlled spring brakes operated by hand control lever, acting on front and first rear axles	
Auxiliary Brake	Exhaust Pressure Governor (EPG) type	UD Extra Engine Brake (EEB) and Exhaust Pressure Governor (EPG) type
Fuel Tank	315 litre steel tank	
Wheels & Tyres		
Disc Type	Pressed steel disc type with ISO 10 studs	
Wheel Size	9.0 x 22.5	
Tyre Size (Front & Rear)	295/80R 22.5 16PR	
Spare Wheel	1 spare wheel equal to front with lockable spare wheel carrier	
Electrical		
Electrical System	24V	
Battery	150 Ah, 12V x 2	
Alternator	24V, 80 Amp	
Cabin		
Cabin Features	Aerodynamic design, Sleeper cab with sleeping bunk, Steel bumper with FUP, Dirt deflectors, Manual cab tilting	
Cabin Suspension	Mechanical spring suspension with hydraulic shock absorbers	
Oth.	Optional Accessories / Items	
	Auto lubricating system	
Weight (kg)		
Chassis with Cab Curb Weight	7,932	8,620
Designed Axle Load (Front)	8,000	
Designed Axle Load (Rear)	26,000	
Dimensions (mm)		
Wheelbase (WB)	4,100 + 1,370	
Overall Length (OL) x Width (OW) x Height (OH)	9,044 x 2,480 x 3,196	
Axle Tread [Front (FT) / Rear (RT)]	2,020 / 1,836	
Overhang [Front (FOH) / Rear (ROH)]	1,480 / 2,610	
Ground Clearance (GC)	236	

- Note:
- (1) All images are for illustration purposes only. As product improvements may be introduced at any time, the specifications and other information in this brochure are subject to change without prior notice.
 - (2) Performance is based on theoretical calculations. Actual performance depends on various parameters like actual load, road conditions, driver, condition of vehicles, etc.
 - (3) Weights and dimensions mentioned are estimated and indicative only, actual may vary on selection of optional items.
 - (4) Optional wheelbase is available.



TAN CHONG INDUSTRIAL EQUIPMENT SDN BHD (013285-X)

A subsidiary of Tan Chong Motor Holdings Berhad (12969-P)

Lot 3, Jalan Perusahaan Satu, 68100 Batu Caves, Selangor Darul Ehsan, Malaysia.

Tel: 03-6189 9832 Fax: 03-6189 9336 Website: www.tcie.com.my