



UD TRUCKS

NEW  
**Quester**

Made to go the extra mile



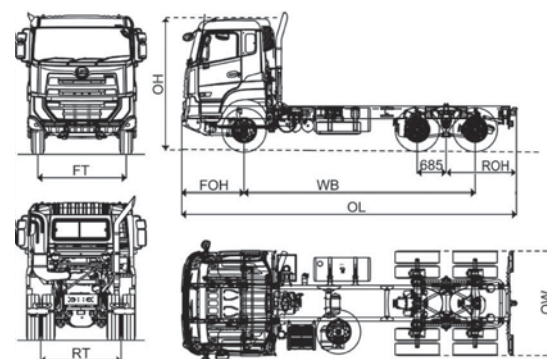
Going the Extra Mile

CWE 6x4 Rigid Tipper

## CWE 6x4 Rigid Tipper Specifications

MODEL NAME		CWE64R08MS		CWE64R11MS			
Axle Type		6x4, Single Reduction		6x4, Single Reduction		6x4, Hub Reduction	
Performance	GVW Rating (kg)	25,000					
	Minimum Turning Radius (m)	8.3					
	Max Speed (km/h)	90 km/h with speed limiter					
	Gradeability (%)	36.7		61.3		69.4	
Engine	Model	GH08 330 EC01 Diesel Engine		GH11 370 EC01 Diesel Engine			
	Euro Emission	Euro 3					
	Type	6 cylinder in-line, Overhead camshaft, Water cooled, Turbocharged with intercooler					
	Bore x Stroke	110 mm x 135 mm		123 mm x 152 mm			
	Total Piston Displacement	7,698 cc		10,837 cc			
	Max. Output	330 HP (243 kW) @ 2,200 rpm		370 HP (273 kW) @ 1,900 rpm			
	Max. Torque	122 kg.m (1,200 N.m) @ 1,200 - 1,650 rpm		177 kg.m (1,734 N.m) @ 1,000 - 1,400 rpm			
	Fuel System	Common rail fuel injection system		Electronic Management System (EMS) fuel injection			
Transmission	Model	ST1199		STO2009			
	Type	9 forward and 1 reverse speeds synchronized manual direct drive		9 forward and 1 reverse speeds synchronized manual overdrive			
	Final Gear Ratio	4.63		5.24			
	Gear Shift	Cable type gear shift linkage					
	Power Take-Off (PTO)	Transmission mounted PTO with SAE 1400 flange					
Chassis	Clutch System	Pull type with dry single plate, Air assisted, Diameter 420 mm					
	Front Axle	Reverse Elliot "I" beam type					
	Rear Axle	Full floating, Pressed steel banjo housing type					
	Differential Lock	Between axles (INTERAXLE)				Between axles (INTERAXLE) and between wheels (ALL AXLES)	
	Frame	Roll formed high tensile steel, Rivetless top, Ladder type					
	Main Frame Dimension	300 mm x 90 mm x 8 mm					
	Frame Reinforcement	From the end of the engine to the end of the frame					
	Frame Reinforcement Dimension	277 mm x 80 mm x 5 mm					
	Front Suspension	Parabolic leaf spring					
	Rear Suspension	Multileaf spring					
	Steering System	Recirculating ball screw type with hydraulic power assistance, Adjustable tilt / telescopic					
	Service Brake (Foot Brake)	Full air, Drum, S-cam type brakes with automatic slack adjuster, equipped with Anti-lock Braking System (ABS)					
	Parking Brake (Hand Brake)	Pneumatically controlled spring brakes operated by hand control lever, acting on front and first rear axles					
Auxiliary Brake	Exhaust Pressure Governor (EPG) type		UD Extra Engine Brake (EEB) and Exhaust Pressure Governor (EPG) type				
Fuel Tank	315 litre steel tank						
Wheels & Tyres	Disc Type	Pressed steel disc type with ISO 10 studs					
	Wheel Size	9.0 x 22.5					
	Tyre Size (Front & Rear)	295/80R 22.5 16PR					
	Spare Wheel	1 spare wheel equal to front with lockable spare wheel carrier					
Electrical	Electrical System	24V					
	Battery	150 Ah, 12V x 2					
	Alternator	24V, 80 Amp					
Cabin	Cabin Features	Aerodynamic design, Sleeper cab with sleeping bunk, Steel bumper with FUP, Dirt deflectors, Manual cab tilting					
	Cabin Suspension	Mechanical spring suspension with hydraulic shock absorbers					
Oth.	Optional Accessories / Items	Auto lubricating system, Extension wheelbase, Variable speed sensor					
Weight (kg)	Chassis with Cab Curb Weight	7,932		8,620		8,752	
	Designed Axle Load (Front)	8,000					
	Designed Axle Load (Rear)	26,000					
Dimensions (mm)	Wheelbase (WB)	4,100 + 1,370					
	Overall Length (OL) x Width (OW) x Height (OH)	9,044 x 2,480 x 3,196					
	Axle Tread [Front (FT) / Rear (RT)]	2,020 / 1,836					
	Overhang [Front (FOH) / Rear (ROH)]	1,480 / 2610					
	Ground Clearance (GC)	236		260			

- Note:
- All images are for illustration purposes only. As product improvements may be introduced at any time, the specifications and other information in this brochure are subject to change without prior notice.
  - Performance is based on theoretical calculations. Actual performance depends on various parameters like actual load, road conditions, driver, condition of vehicles, etc.
  - Weights and dimensions mentioned are estimated and indicative only, actual may vary on selection of optional items.
  - Optional wheelbase is available.



**TAN CHONG INDUSTRIAL EQUIPMENT SDN BHD** (013285-X)

A subsidiary of Tan Chong Motor Holdings Berhad (12969-P)

Lot 3, Jalan Perusahaan Satu, 68100 Batu Caves, Selangor Darul Ehsan, Malaysia.

Tel: 03-6189 9832 Fax: 03-6189 9336 Website: www.tcie.com.my