



UD TRUCKS

UD2600



North America

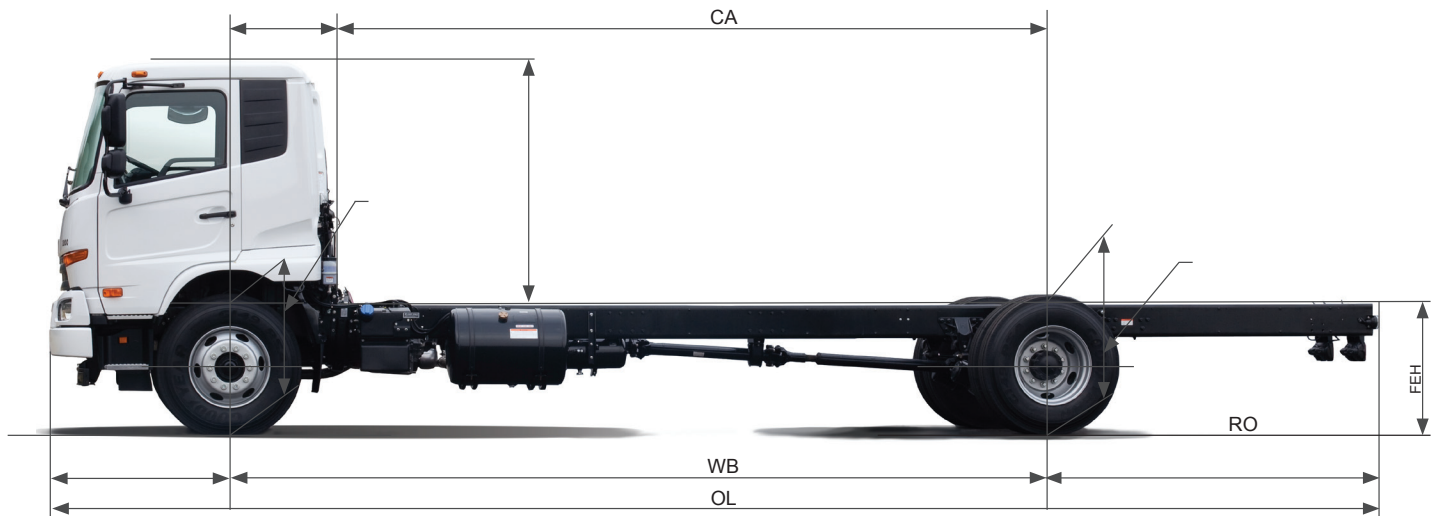
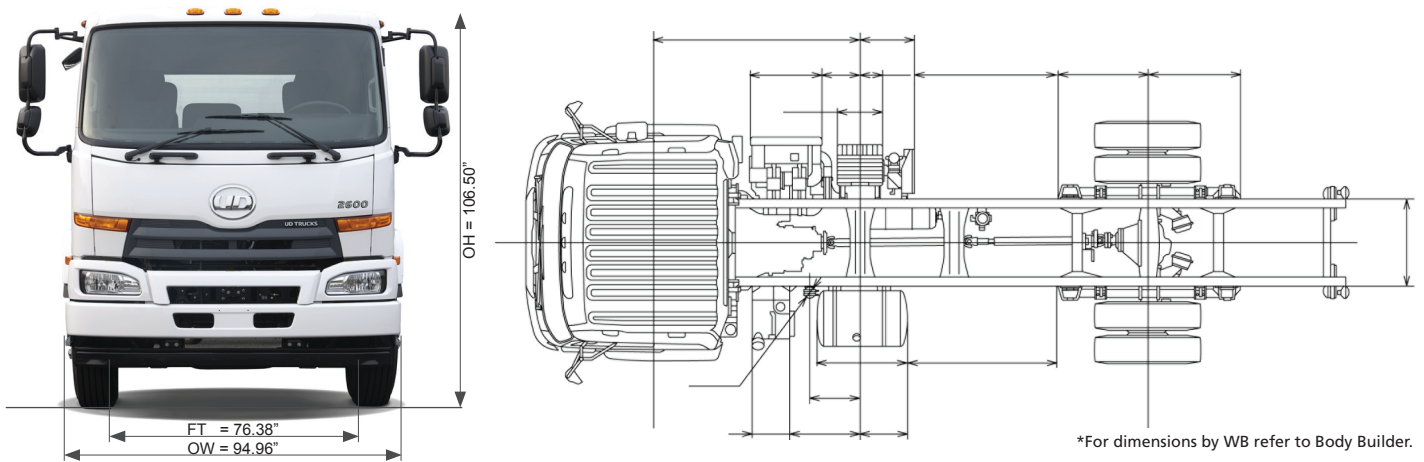
UD2600

STANDARD SPECIFICATION

| MODEL | | UD2600 E | UD2600 H | UD2600 K | UD2600 M | UD2600 N | UD2600 R | UD2600 S |
|------------------------------|-----------|-----------------|-----------------|-----------------|-----------------|-----------------|-----------------|-----------------|
| DIMENSIONS Unit: in. | | | | | | | | |
| Wheelbase † | (WB) | 147.64 | 177.17 | 192.91 | 208.66 | 218.50 | 238.19 | 253.94 |
| Cab-to-Rear Axle | (CA) | 114.92 | 144.45 | 160.20 | 175.94 | 185.79 | 205.47 | 221.22 |
| Rear Overhang | (RO) | 47.64 | 72.83 | 76.97 | 88.58 | 102.36 | 110.24 | 114.17 |
| Overall Length | (OL) | 246.85 | 301.57 | 321.46 | 348.82 | 372.44 | 400.00 | 419.69 |
| Frame End Height | (FEH) | | | | | | | |
| Leaf Suspension | | 42.40 | 42.64 | 42.59 | 42.69 | 42.87 | 42.84 | 42.78 |
| Air Suspension § | | ----- | 39.41 | 39.39 | 39.45 | 39.54 | 39.53 | 39.52 |
| Typical Body Lengths (ft.) ‡ | | 14/16 | 16/18 | 18/20 | 20/22 | 24/26 | 26/28 | 28/30 |
| WEIGHTS Unit: lb. | | | | | | | | |
| GVWR | | 25,995 | 25,995 | 25,995 | 25,995 | 25,995 | 25,995 | 25,995 |
| Chassis Weight 245hp | Front | 6,330 | 6,515 | 6,635 | 6,695 | 6,755 | 6,800 | 6,890 |
| | Rear | 3,805 | 3,805 | 3,780 | 3,835 | 3,895 | 3,945 | 3,970 |
| | Total | 10,135 | 10,320 | 10,415 | 10,530 | 10,650 | 10,745 | 10,860 |
| Gross Payload * | | 15,860 | 15,675 | 15,580 | 15,465 | 15,345 | 15,250 | 15,135 |
| Chassis Weight 280hp | Front | 6,555 | 6,735 | 6,860 | 6,920 | 6,980 | 7,025 | 7,110 |
| | Rear | 3,890 | 3,885 | 3,860 | 3,920 | 3,975 | 4,030 | 4,055 |
| | Total | 10,445 | 10,620 | 10,720 | 10,840 | 10,955 | 11,055 | 11,165 |
| Gross Payload * | | 15,550 | 15,375 | 15,275 | 15,155 | 15,040 | 14,940 | 14,830 |
| TURNING RADIUS | Unit: ft. | 21.3 | 25.3 | 27.2 | 29.2 | 30.5 | 33.1 | 35.1 |

* Gross payload capacity equals GVWR minus chassis weight. Installation of specialized equipment or bodies may require frame reinforcement. † Wheelbase selection should be based on specific weight distribution. ‡ Typical body lengths assume water level load (no specific consideration for driver, passengers, or fuel) to maximize GVWR. Addition of ancillary equipment such as lift gates and refrigeration units not considered in calculations. § Airbags inflated.

UD2600 Specification Diagrams



UD2600

| | |
|----------------------------|---|
| ENGINE | GH7 |
| | L6 OHC 24 Valves |
| | Turbo/Intercooled Diesel |
| | In-line 6 Cylinder, Direct-injection |
| Horsepower | 245 hp @ 2,500 rpm *OPTION: 280 hp |
| Torque | 530 lb. ft. @ 1,400 rpm *OPTION: 650 lb. ft. |
| Displacement | 427 in. ³ (7.0 L) |
| Cylinder Liner | Dry, Replaceable |
| Air Compressor | 12.4 CFM @ 2,600 Engine rpm (Nominal) |
| Fuel System | Electronically Controlled Common Rail System |
| Air Cleaner | 11 in., Paper Filter Type (DONALDSON) |
| Cold Starting Aid | Automatic Electric Air Preheater |
| Fan | Viscous Type Drive |
| Battery Cold Crank Amps | 565 amp (x2 = 1,130 amps) / 95D31R |
| Alternator | 160 amp |

| | |
|-------------------------------------|--|
| CHASSIS FRAME | Ladder Type, Channel Section Side Rail |
| Dimensions (in.)* | 9.84 x 3.15 x 0.31 |
| Assembled Width (in.) | 33.9 |
| Section Modulus (in. ³) | 13.3 |
| Yield Strength (psi) | 51,200 |
| RBM (in. - lb.)** Per Rail | 681,000 |

* Height x Flange Width x Thickness

** Minimum across load platform

Refer to current Body Builder for additional details

| | |
|-------------------|----------------------------|
| FRONT AXLE | |
| GAWR | 11,900 lb. |
| Axle Type | "I" Beam |
| Suspension | Semi-elliptic Leaf Springs |
| Shock Absorbers | Telescopic Type |

| | |
|------------------|--|
| REAR AXLE | |
| GAWR | 20,280 lb. |
| Axle Type | Full-floating Banjo Housing |
| Suspension | Semi-elliptic Leaf Springs with Auxiliary Springs |

| | |
|---------------|---|
| TIRES | Front: Single, Highway Tread |
| | Rear: Dual, Highway Tread |
| | 11R22.5 - 14PR (Tubeless Radial) |
| WHEELS | Steel Disc Type, 10 Hole, 22.5 x 8.25 in., Offset 6.50 in. |

| | |
|-------------------------------|---|
| CAB | Forward Control, Steel Construction, Tilting Cab; Cab Suspension with Shock Absorbers |
| Air Conditioner | Standard |
| Cab Glass | Windshield, Tinted Laminated, 2,273 in. ² |
| Cruise Control | Standard |
| Driver's Seat | Height & Seat Back Angle, Adjustable Lumbar w/Air Suspension, Cloth Cover, High Back Type |
| Passenger Seat | Seat Back Angle Adjustable, Cloth Cover, High Back |
| Keyless Entry | Standard |
| Power Windows & Door Locks | Standard |
| Seat Belts | Driver & Passenger, 3-Point ELR Type |
| Rearview Mirrors | West Coast Type, 14.2 x 7.3 in. Convex Type, 7.1 x 7.1 in. Passenger Side Down View Mirror, 7.1 x 11.8 in. |
| Steering Column | Tilt & Telescopic Type |
| Sun Visors | Driver & Passenger |
| Windshield Wipers | Intermittent & 2 Speed |

| | |
|---------------|---|
| CLUTCH | Hydraulic Clutch with Air Assist |
| | 13.8 in. Cerametallic Friction Material (15.0 in. - GH7 280HP Engine Option) |
| | Standard Clutch Wear Indicator |

| | |
|-----------------|--|
| STEERING | Integral Power Steering, Gear Driven Pump |
|-----------------|--|

| TRANSMISSION | STANDARD | | OPTION | | ‡OPTION | | | ‡OPTION | | | |
|---------------------|--|----------|--|----------|---|----------|--------|---|--------|--------|--------|
| | MLS63B Manual* 6 Forward Speeds & 1 Reverse, Synchronesh on 2nd through 6th Gears | | Allison 2200RDS Automatic* 5 Forward Speeds & 1 Reverse | | MPS63B Manual** 6 Forward Speeds & 1 Reverse, Synchronesh on 2nd through 6th Gears | | | Allison 3000RDS Automatic** 6 Forward Speeds & 1 Reverse | | | |
| Ratios | | | | | | | | | | | |
| 1st | 6.718 | | 3.102 | | 7.027 | | | 3.490 | | | |
| 2nd | 4.031 | | 1.811 | | 4.277 | | | 1.860 | | | |
| 3rd | 2.303 | | 1.406 | | 2.493 | | | 1.410 | | | |
| 4th | 1.443 | | 1.000 | | 1.500 | | | 1.000 | | | |
| 5th | 1.000 | | 0.712 | | 1.000 | | | 0.750 | | | |
| 6th | 0.740 | | | | 0.780 | | | 0.650 | | | |
| Rev. | 6.121 | | 4.492 | | 7.038 | | | 5.030 | | | |
| R/A Ratio | 5.14 | 5.57 Std | 5.14 | 5.57 Std | 4.63 | 4.88 Std | 5.57 | 5.57 Std | 5.86 | 6.17 | |
| Engine RPM @ 65 MPH | 2,079 | 2,252 | 2,000 | 2,167 | 1,970 | 2,077 | 2,374 | 1,978 | 2,079 | 2,189 | |
| GCWR (lbs.) | 34,945 | 41,000 | 26,000 | 26,000 | 26,000 | 48,065 | 50,715 | 57,770 | 57,770 | 58,430 | 57,990 |

* Available with GH7 245HP Engine Only

** Available with GH7 280HP Engine Only

UD2600

BRAKE SYSTEM

| | |
|--------------------|---|
| Service Brakes | Anti-lock Braking System Dual line, Air-Over-Hydraulic Brake System |
| Front | Internal Expanding, Two Leading Shoe, Self-Adjusting Drum Brakes Drum Diameter x Lining Width x Lining Thickness: 15.75 x 4.72 x 0.59 in. |
| Rear | Internal Expanding, Dual Two Leading Shoe, Self-Adjusting Drum Brakes Drum Diameter x Lining Width x Lining Thickness: 15.75 x 6.10 x 0.59 in. |
| Air Tanks | Supply: 641 in. ³ Front Service: 549 in. ³ Rear Service: 641 in. ³ Total: 1,831 in. ³ |
| Air Dryer | Standard |
| Rear Parking Brake | Standard at Rear Wheel |

EXHAUST BRAKE

Electrically Controlled,
Pneumatically Activated
Butterfly Valve in Exhaust Pipe

FUEL TANK

Round Fuel Tank, Mounted to Left Side
Capacity - 50 Gallons

DEF TANK

Capacity: 5 Gallons, W/B - E-H
(For SCR Urea Solution) 13 Gallons, W/B - K-S

ELECTRICAL EQUIPMENT

Back-up Lights
Cigar Lighter
Clearance, Identification & Position Lights
Day-time Running Lights
Halogen Headlights, 2 Lamps
Interior and Map Light
License Light
Power Outlet - 12 Volt
Side Turn Signal Lights
Stop / Tail Lights

INSTRUMENTS

| | |
|--------------------------------------|---|
| Meters & Gauges | Air Pressure Gauges Coolant Temperature Gauge Fuel Gauge, DEF Gauge Speedometer, Odometer & Trip Meter Tachometer |
| Gauges in Multi Display | Ash Level Gauge Coolant Temperature Gauge Engine Oil Pressure Gauge Engine Oil Temperature Gauge Soot Level Gauge Voltmeter |
| Warning & Indicator Lights & Buzzers | ABS Warning Light Air-Ride Suspension Warning Buzzer Automatic Transmission: - Fluid Maintenance Warning Light - Range Inhibited Warning Light Brake Warning Light Coolant Level Warning Light & Buzzer Cruise Control "ON" & "SET" Indicator Lights DEF Low Level Warning Light Engine Air Heater Indicator Light Engine Control Warning Light Exhaust Brake Indicator Light High Beam Indicator Light High Exhaust Temperature Warning Light Low Air Pressure Warning Light & Buzzer Reverse Buzzer for Automatic Transmission |

INSTRUMENTS

(Continued)

| | |
|---|---|
| Warning & Indicator Lights & Buzzers | Seat Belt Warning Light Soot Deposit Accumulation Warning Light Tilt Lock Warning Light & Buzzer Turn Signal & Hazard Indicator Light & Buzzer |
| Warning & Indicator Lights & Buzzers in Multi Display | Automatic Transmission: - Check Warning - Fluid Temperature Warning & Buzzer Charge Warning DEF Low Level Warning DEF Quality Warning DPF Maintenance Warning DPF Regeneration Indicator DPF Regeneration Inhibit Warning DPF System Warning & Buzzer Engine Communication Malfunction Warning Engine Derated Warning Engine Oil: - Low Level Warning & Buzzer - Pressure Warning & Buzzer - Temperature Warning & Buzzer Engine Overrun Warning & Buzzer Engine System Warning & Buzzer Idle Shutdown Warning & Buzzer Meter Communication Malfunction Warning Overheat Warning & Buzzer Starter Overheat Warning Transmission PTO Indicator Vehicle Electrical System: - Communication Malfunction Warning - Malfunction Warning |
| Other Functions in Multi Display | Automatic Transmission: - O/D OFF Indicator Light - Power Mode Indicator Light - Shift Position Indicator Light Calendar Diagnostics (for EMS, VECU, NICU) Hour Meter / Trip Hour Meter Maintenance Inspection Odometer / Trip Meter Operation Control |
| Other Functions | Illumination Control |

OPTIONS

| | |
|---------|--|
| Factory | Air Ride Suspension (H-S WB) Locking Cap for DEF Tank Non Spin Differential Power Mirrors Power / Heated Mirrors Rear Shock Absorbers (n/a with Air Suspension) Reduced Deflection Springs Traction Tires |
| Port | 90 Gallon Fuel Tank - Aluminum (K-S WB) AM/FM Stereo Radio with CD Center Console / Third Seat |
| Dealer | Rear Engine PTO |

All illustrations, specifications and descriptions in this specification are based on the latest product information available at the time of this publication. The right is reserved to make changes in price, materials, equipment, design, specifications, diagrams and models, and to discontinue models of equipment at any time, without notice and without incurring any obligation whatsoever. For more information on additional options and accessories, contact UD Trucks North America, Inc.

Manufacturer:
UD Trucks Corporation
Saitama, Japan
www.udtrucks.com

Distributor:
UD Trucks North America, Inc.
www.udtrucksna.com

| | |
|-----------------|----------------|
| Department: | Sales |
| Section: | Specifications |
| Model: | UD2600 |
| Model Year: | 2012 |
| Effective Date: | 10/1/2011 |
| Form #: | UDSPEC-26-12 |
| Rev #: | B |